

U.N. MARKING PER B6424 READS

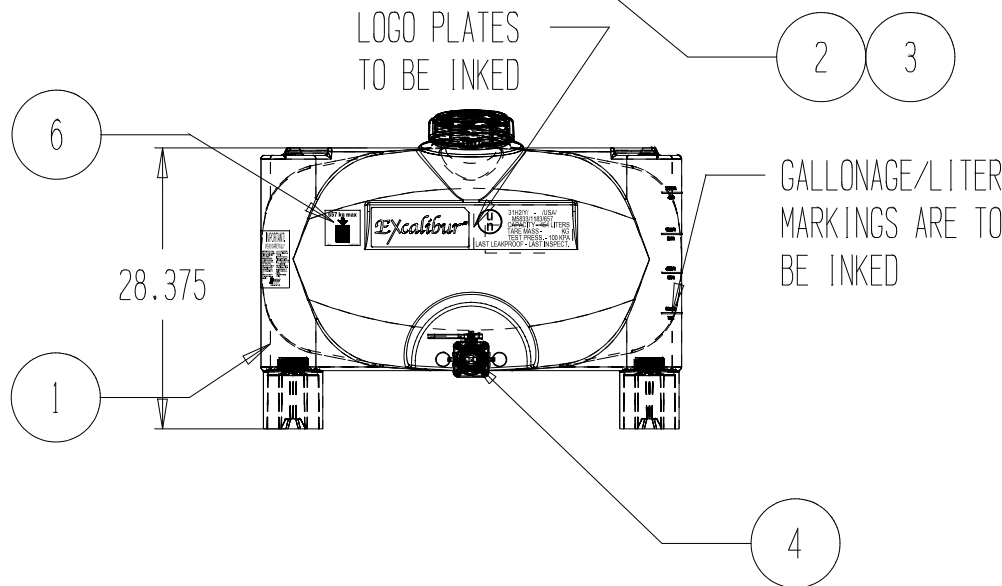
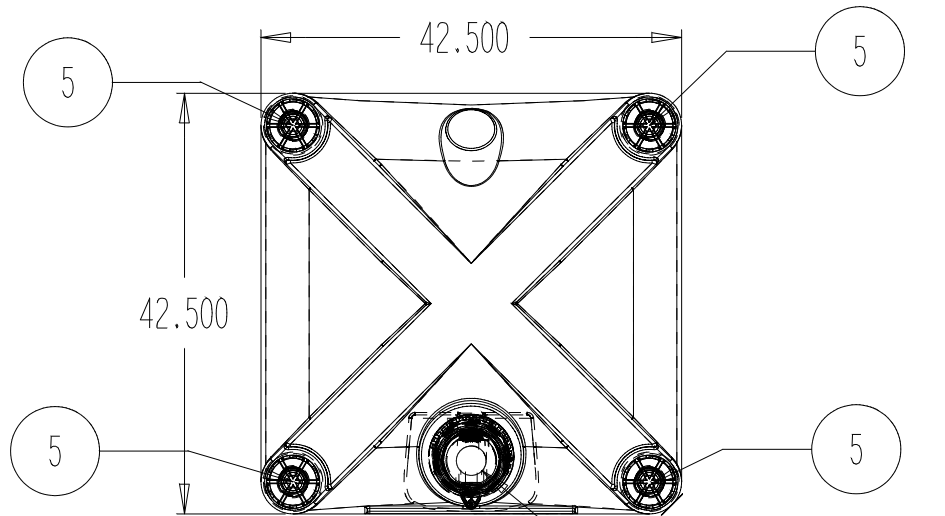


31H2/Y/ - /USA/
M5833/1183/657
CAPACITY - 454 LITERS
TARE MASS - KG
TEST PRESS. - 100 KPA
LAST LEAKPROOF - LAST INSPECT.

* DENOTES THAT A CUTSHEET EXISTS FOR THIS ITEM IN THE I.B.C. CUTSHEET MANUAL DATABASE.

% DENOTES THAT THIS IS A LINE ITEM ON THE ORDER.

16	X	X	X
15	X	X	X
14	X	X	X
13	X	X	X
12	X	X	X
11	X	X	X
10	X	X	X
9	STD IBC ASSEMBLY KIT - NO BAG	1	34701648
8	X	X	X
7	X	X	X
6	DECAL STACK RATING 657 - 120 EXCALII	1	99700543
* 5	EXCALII FOOT PE BLACK	4	34300341
* 4	ASM VALVE 2IN 4-BOLT STUBBY	1	34700718
* 3	ASM VENT PE 2IN VACUUM SII W/EPDM	1	34700822
* 2	CAP 6IN HDLPE W/2IN NPS W/EPDM	1	34300314
% * 1	ASM TK 120 EXCAL2 NAT 1.35 EPDM STD	1	6570000B96002
ITEM#	DESCRIPTION	QTY.	P/N



VALVE MUST BE LATEST VERSION OF 3540052
W/ TAMPER EVIDENT/LANYARD HOLE TOWARDS THE TOP

ALL DIMENSIONS ARE NOMINAL AND SUBJECT TO CHANGE WITHOUT NOTICE.

© SNYDER INDUSTRIES, INC., 2012

SNYDER INDUSTRIES INC. CLAIMS PROPRIETARY RIGHTS IN THE MATERIAL DISCLOSED HEREON. NEITHER THIS DRAWING NOR ANY PRODUCTION THEREOF MAY BE USED TO MANUFACTURE ANYTHING SHOWN HEREON WITHOUT PERMISSION IN WRITING FROM SNYDER INDUSTRIES INC. TO USER SPECIFICALLY REFERRING TO THIS DRAWING.

120 EXCALIBUR 2 1.35 STD

PART # TANK: 6570000B96002

P.O.#
REF#: 00000

01/23/2013